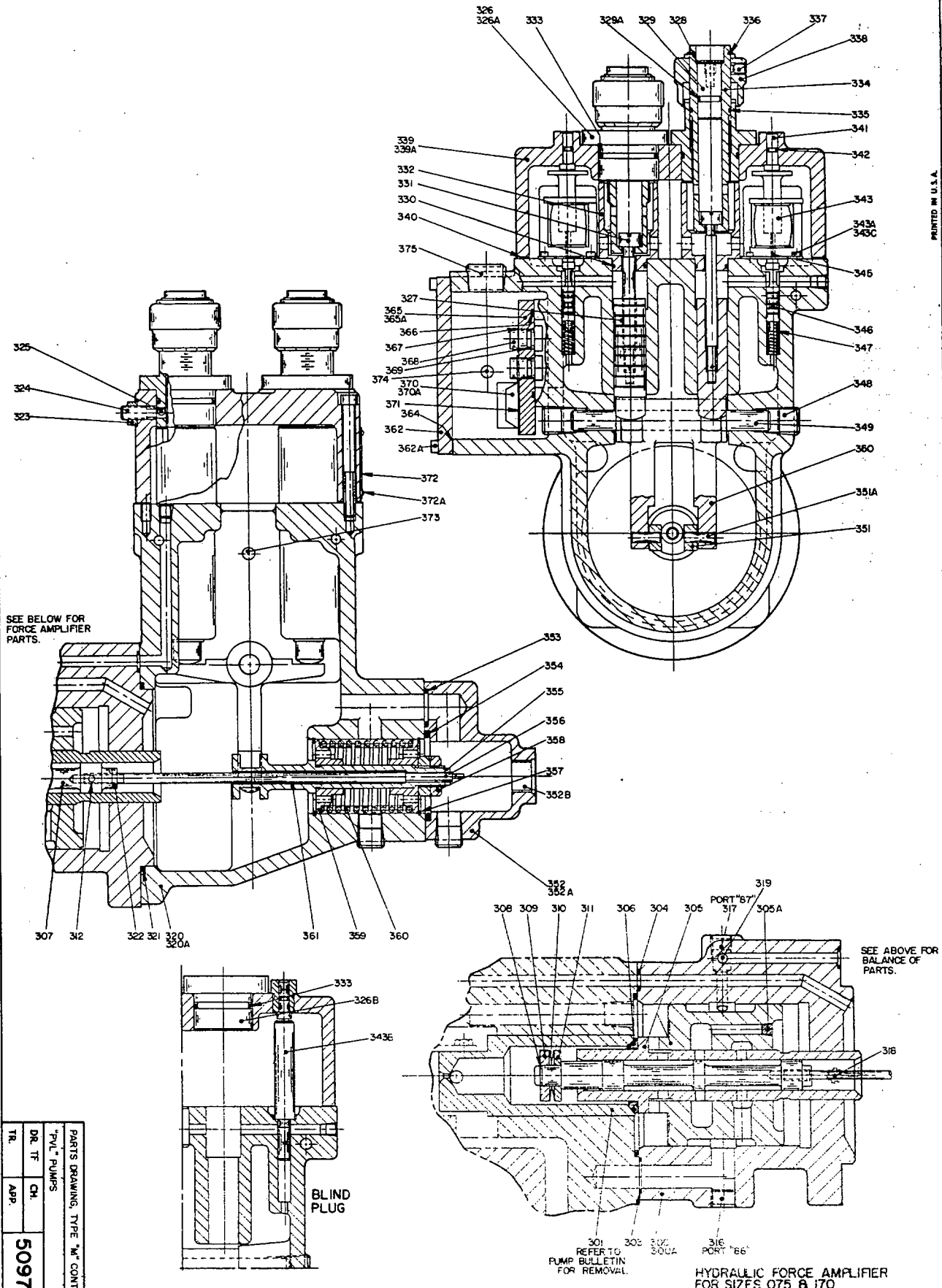


TYPE "M" CONTROL FOR OILGEAR "PVL" PUMPS



PRINTED IN U.S.A.

TR.	DR. TF.	CH.	APP.
PARTS DRAWING, TYPE "M" CONTROL, FOR "PVL" PUMPS			
509743			

ISSUED SEPT 1977

THE OILGEAR COMPANY
MILWAUKEE, WISCONSIN, U.S.A. 53219

DS-947277

PARTS LIST
Type "M" Control for "PVL" Pumps

<u>Item No.</u>	<u>Description</u>	<u>Item No.</u>	<u>Description</u>	<u>Item No.</u>	<u>Description</u>
300	Housing, Force Amp.	329	Plug, Control	352	Cap, Control
300A	Screw, Cap	329A	Seal, O'ring	352A	Screw, Cap
301	Rod, Connecting	330	Seal, O'ring	352B	Plug, Pipe
303	Seal, O'ring	331	Screw, Stroke Adj.	355	Nut, Jam
304	Seal, O'ring	332	Stop, Adj. Screw	365	Rod, Connecting
305	Piston & Bushing Ass'y	333	Seal, O'ring	357	Ring, Retaining
305A	Plug, Orifice	334	Screw, Stroke Adj.	358	Nut, Jam
306	Plate, Thrust	335	Seal, O'ring	359	Guide, Spring
307	Plunger, Pilot	336	Ring, Exterior Retaining	360	Spring, Centering
308	Ring, Retaining	337	Screw, Set	361	Sleeve, Connecting Rod
309	Spacer, Outer	338	Knob, Control Adj.	362	Cover, Term. Box
310	Washer, Spring	339	Cover, Control	362A	Screw, Cap
311	Spacer, Inner	339A	Screw, Cap	364	Gasket, Term. Box
312	Pin, Roll	340	Gasket	365	Plate, Feed Thru
316	Plug, Pipe	341	Rod, Solenoid Push	365A	Screw, Cap
317	Plug, Pipe	342	Seal, O'ring	366	Ring, Quad
318	Plug, Pipe	343	Solenoid, Assembly	367	Ring, External Retaining
319	Plug, Pipe	343A	Screw, Cap	368	Plug, Electrical Feed Thru
320	Housing, Control	343B	Plug, Dummy	369	Seal, O'ring
320A	Screw, Cap	343C	Washer, Lock	370	Block, Terminal
321	Seal, O'ring	345	Pin, Solenoid Push	370A	Screw, Slot
322	Nut, Jam	346	Plunger, Pilot Valve	371	Strip, Marker
323	Nut, Seal	347	Spring, Pilot, Valve	372	Plate, Name
324	Screw, Set	348	Plug, Pipe	372A	Screw, Drive
325	Ball, Locking	349	Shaft, Pivot	373	Wrap, Spiral
326	Flange, Adj. Screw	350	Lever, Positioning	374	Plug, Expansion
326A	Screw, Cap	351	Shoe, Tilt Lever	375	Plug, Pipe
327	Piston, Control	351A	Pin, Dowel		
328	Ring, Interior Retaining				

O'RING SIZES
(Cross Section x O.D. - Duro + 5)

<u>Item No.</u>		
303	1/16 x 1/2	70
304	3/32 x 7/8	70
321	1/8 x 4-3/4	70
329A	3/32 x 5/8	70
330	1/16 x 3/4	70
333	3/32 x 1-7/16	70
335	1/16 x 1	70
342	1/16 x 1/4	70
353	3/32 x 15/16	70
354	1/8 x 2-1/4	70
369	1/16 x 1/2	70

Parts used in this assembly are per Oilgear specifications. Use Oilgear parts to insure compatability with assembly requirements. When ordering parts, be sure to specify type designation, number stamped on nameplate, data sheet (DS) number and item number. Specify type of hydraulic fluid for packing and seals.